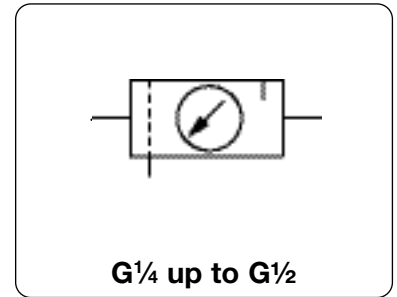


<b>Description</b>	Service unit, consisting of regulator, filter and oiler with pressure gauge, in small design with high flow rate.		
<b>Media</b>	compressed air or non-corrosive gases		
<b>Supply pressure</b>	max. 17 bar		
<b>Adjustment</b>	with lockable adjustment knob for C520FRL, with T-handle for C521FRL, with adjustment screw for C522FRL		
<b>Relieving function</b>	relieving, optionally non-relieving		
<b>Gauge port</b>	G $\frac{1}{8}$ on both sides of the body		
<b>Filter element</b>	40 $\mu$ m, optionally 5 $\mu$ m, made of sintered bronze		
<b>Bowl</b>	metal bowl with sight glass		
<b>Drainage</b>	manual drain as standard, optionally automatic drain, max. 10 bar		
<b>Temperature range</b>	0 °C to 80 °C		
<b>Material</b>	Body: alu die-cast	Bowl: alu die-cast	Elastomer: NBR
	Spring cage: glass fibre-reinforced plastic		
	Inner valve: brass, plastic		



Dimensions			Combination consisting of	Flow rate m <sup>3</sup> /h*1 l/min*1	P <sub>1</sub> max. bar	Connection thread G	Pressure range bar	Order number	A*
A	B	C							

FRL unit, 3-part			manual drain, relieving, max 17 bar with pressure gauge, Filter element 40 $\mu$ m				C510FRL			
280	265	165	R520+F520+L520	132	2100	17	G $\frac{1}{4}$	0.2 ... 2	C520FRL-02WJA	
			R522+F520+L520					0.3 ... 3.5		C520FRL-02WJB
280	265	165	R520+F520+L520	168	3100	17	G $\frac{3}{8}$	1.0 ... 10	C520FRL-02WJC	
								1.7 ... 17	C522FRL-02WJD	
								0.2 ... 2	C520FRL-03WJA	
280	265	165	R520+F520+L520	288	4800	17	G $\frac{1}{2}$	0.3 ... 3.5	C520FRL-03WJB	
								1.0 ... 10	C520FRL-03WJC	
								1.7 ... 17	C522FRL-03WJD	
280	265	165	R520+F520+L520	408	6800	17	G $\frac{3}{4}$	0.2 ... 2	C520FRL-04WJA	
								0.3 ... 3.5	C520FRL-04WJB	
								1.0 ... 10	C520FRL-04WJC	
280	265	165	R522+F520+L520	408	6800	17	G $\frac{3}{4}$	1.7 ... 17	C522FRL-04WJD	
								0.2 ... 2	C520FRL-06WJA	
								0.3 ... 3.5	C520FRL-06WJB	
280	265	165	R520+F520+L520	408	6800	17	G $\frac{3}{4}$	1.0 ... 10	C520FRL-06WJC	
								1.7 ... 17	C522FRL-06WJD	

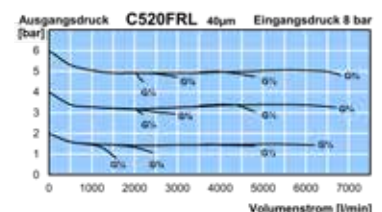
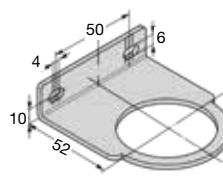
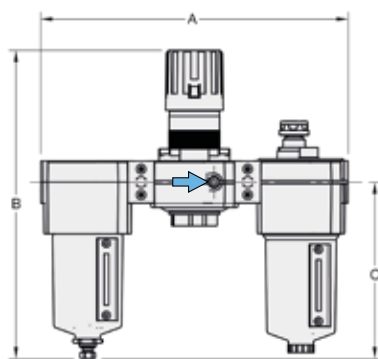


### Special options, add the appropriate letter

<b>T-handle</b>	including locknut	up to 10 bar B + 20 mm	C521FRL -0 . W . .
<b>adjusting screw</b>	including locknut	up to 10 bar B + 20 mm	C522FRL -0 . W . .
<b>5 <math>\mu</math>m filter element</b>			C52 . FRL -0 . WG .
<b>non relieving</b>	without relieving function		C52 . FRL -0 . W . . K
<b>automatic drain</b>	SA-500, max. 10 bar		C52 . FRL -0 . W . . R

### Accessories, enclosed

<b>pressure gauge</b>	50 mm, 0... <sup>2</sup> bar, G $\frac{1}{8}$	<b>MA5001- . . <sup>2</sup></b>
<b>mounting bracket</b>	made of steel	for G $\frac{3}{4}$ to G1 $\frac{1}{2}$ <b>BW48-01</b>
<b>mounting nut</b>	made of plastic	<b>M48x1,5K</b>



\*1 at 8 bar supply pressure, 6 bar outlet pressure and 1 bar pressure drop  
 \*2 02 = 0...2,5 bar, 04 = 0...4 bar, 06 = 0...6 bar, 10 = 0...10 bar, 16 = 0...16 bar, 25 = 0...25 bar

\* Product group

**Further details:** see chapter for single devices  
**Gauges:** see chapter for measuring devices

PDF CAD  
 www.aircom.net



**Order example:**  
 C520FRL-02WJA